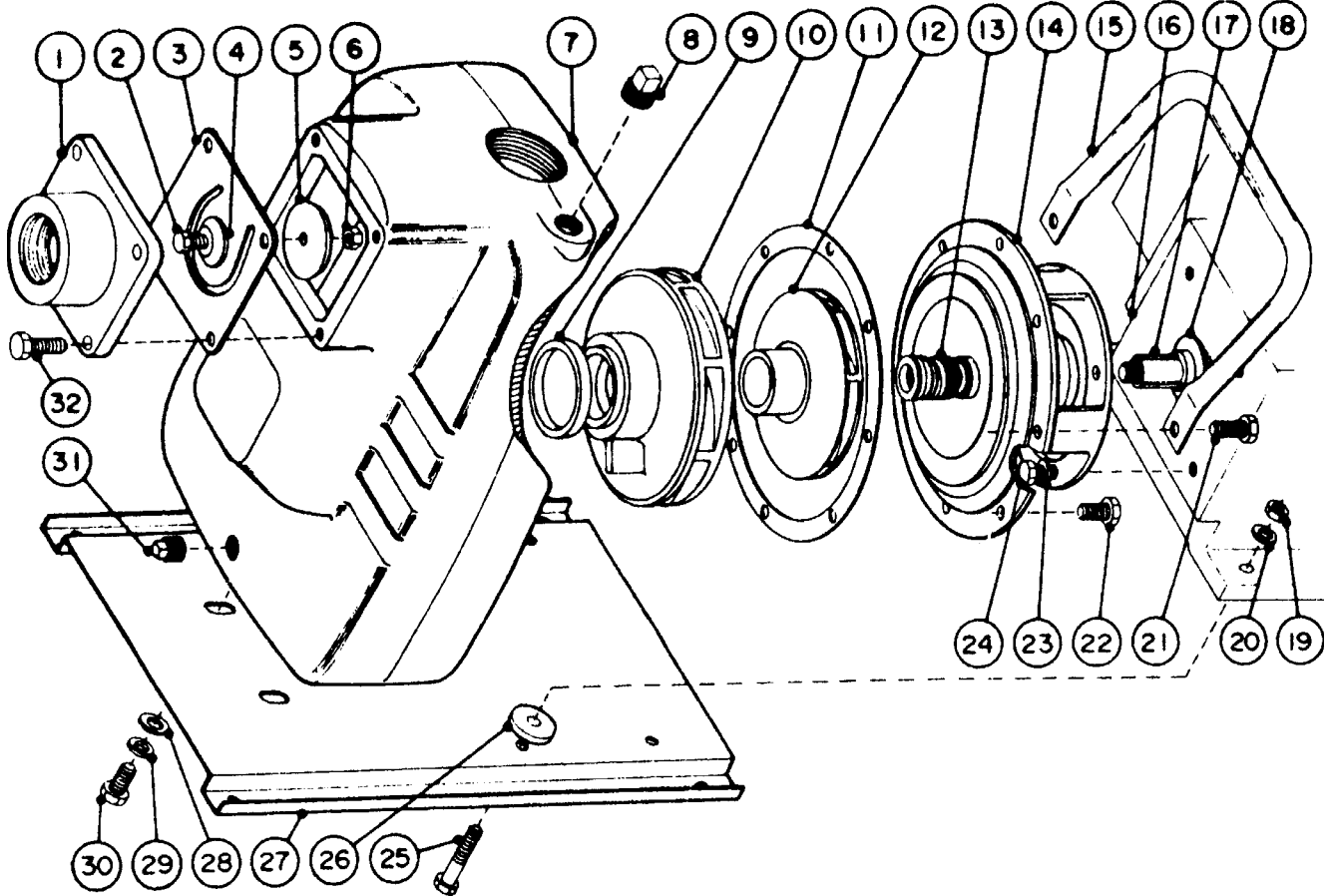


REPAIR PARTS LIST
LISTE DE PIÉCES DE
RECHANGE
LISTA DE PIEZAS DE
REPARACIONES

NSGF SERIES/SÉRIE/SERIE

NSGF-3, 3H, NSGF-5, 5H,
 NSGF-8(Type/Tipo A), NSGF-8H(Type/Tipo B)



MODELS: a - NSGF-3, NSGF-3H

b - NSGF-5, NSGF-5H

c - NSGF-8, NSGF-8H (Type B)

Ref. #	Code #	Qty. Req'd. For			Description		
		a	b	c			
1	400111	1			Valve body	Corps de soupape	Cuerpo de válvula
1	414730		1		Valve body	Corps de soupape	Cuerpo de válvula
1	414731			1	Valve body	Corps de soupape	Cuerpo de válvula
2	146940	1			Screw, 1/4" UNC x 5/8" SST	Vis, 1/4" UNC x 5/8" Acier Inox.	Tornillo, 1/4" UNC x 5/8" SST
2	225751		1	1	Bolt, 1/4" UNC x 1" SST	Boulon, 1/4" UNC x 1" Acier Inox.	Perno, 1/4" UNC x 1" SST
3	190843	1			Check valve	Clapet de retenue	Válvula de chequeo
3	191261		1	1	Check valve	Clapet de retenue	Válvula de chequeo
4	174591	1			Plain washer, 1/4" SST	Rondelle plate, 1/4" Acier Inox.	Arandela ordinaria, 1/4" SST
4	013150		1	1	Bottom weight	Poids inférieur	Peso inferior
5	400079	1			Top weight	Poids supérieur	Peso superior
5	014740		1	1	Top weight	Poids supérieur	Peso superior
6	128880		1	1	Nut, 1/4" UNC SST	Ecrou, 1/4" UNC Acier Inox.	Tuerca, 1/4" UNC SST
7	433210	1			Casing - blue	Boîtier - bleu	Cuerpo - azul
7	433104		1	1	Casing	Boîtier	Cuerpo
8	185650	1	1	1	Pipe plug, 3/4" NPT	Bouchon de tuyau, 3/4" NPT	Tapón de tubería de 3/4" de plug, NPT
9	246237	1	1	1	Diffuser ring	Anneau diffuseur	Anillo de difusor

Ref. #	Code #	Qty. Req'd. For			Description		
		a	b	c			
10	433174	1			Diffuser	Diffuseur	Difusor
10	433139		1	1	Diffuser	Diffuseur	Difusor
11	193922	1			Gasket	Joint d'étancheté	Junta
11	193927		1	1	Gasket	Joint d'étancheté	Junta
12	433171	1			Impeller	Roue de turbine	Propulsor
12	433172		1		Impeller	Roue de turbine	Propulsor
12	433173			1	Impeller	Roue de turbine	Propulsor
13	240344	1	1		Mechanical seal, 3.4" I.D.	Joint mécanique, 3/4" I.D.	Sello mecánico, 3/4" I.D.
13	240359			1	Mechanical seal, 1 1/4" I.D.	Joint mécanique, 1 1/4" I.D.	Sello mecánico, 1 1/4" I.D.
14	433175	1			Adapter	Adapteur	Adaptador
14	433176		1		Adapter	Adapteur	Adaptador
14	433177			1	Adapter	Adapteur	Adaptador
15	433181	1			Handle	Poignée	Manija
15	433179		1		Handle NSGF-8IC	Poignée NSGF-8IC	Manija NSGF-8IC
15	433180			1	Handle NSGF-8	Poignée NSGF-8	Manija NSGF-8
15	433183			1	Handle NSGF-8H	Poignée NSGF-8H	Manija NSGF-8H
16	201950	1			Engine B&S 3 HP/#80232 (NSGF-3)	Moteur B&S 3 CV/#80232 (NSGF-3)	Motor B&S 3 HP/#80232 (NSGF-3)
16	202000	1			Engine Honda 4 HP / GX120TX (NSGF-3H)	Moteur Honda 4 CV / GX120TX (NSGF-3H)	Motor Honda 4 HP / GX120TX (NSGF-3H)
16	201915		1		Engine B&S 5 HP/#130232 (NSGF-5)	Moteur B&S 5 CV/#130232 (NSGF-5)	Motor B&S 5 HP/#130232 (NSGF-5)
16	202001		1		Engine Honda 5.5 HP GX160TX (NSGF-5H)	Moteur Honda 5.5 CV GX160TX (NSGF-5H)	Motor Honda 5.5 HP GX160TX (NSGF-5H)
16	201929			1	Engine B&S 8 HP #202432 (NSGF-8IC)	Moteur B&S 8 CV #202432 (NSGF-8IC)	Motor B&S 8 HP #202432 (NSGF-8IC)
16	201918			1	Engine B&S 8 HP/#201432 (NSGF-8)	Moteur B&S 8 CV/#201432 (NSGF-8)	Motor B&S 8 HP/#201432 (NSGF-8)
16	202002			1	Engine Honda 9 HP GX270PX (NSGF-8H)	Moteur Honda 9 CV GX270PX (NSGF-8H)	Motor Honda 9 HP GX270PX (NSGF-8H)
17	266000	1	1		Sleeve, .63 I.D. x .75 O.D. x 1.6 long	Manchon, .63 I.D. x .75 O.D. x 1.6 long	Manga, .63 I.D. x .75 O.D. x 1.6 long
17	400129			1	Sleeve, 1.13 I.D. x 1.25 O.D. x 2.1 long	Manchon, 1.13 I.D. x 1.25 O.D. x 2.1 long	Manga, 1.13 I.D. x 1.25 O.D. x 2.1 long
18	191141		1		Flinger	Cavalier	Anillo de goma
18	191142	1			Flinger	Cavalier	Anillo de goma
18	194140			1	Flinger	Cavalier	Anillo de goma
19	227820	4	4	4	Nut, 5/16" UNC Zn. Pl.	Ecrou, 5/16" UNC Zn. Pl.	Tuerca, 5/16" UNC Zn. Pl.
20	176220	4	4	4	Spring washer, 5/16" Zn. Pl.	Rondelle de ressort, 5/16" Zn. Pl.	Arandela de resorte, 5/16" Zn. Pl.
21	226210	2			Bolt, 3/8" UNC x 1" Zn. Pl.	Boulon, 3/8" UNC x 1" Zn. Pl.	Perno, 3/8" UNC x 1" Zn. Pl.
21	226200		2		Bolt, 3/8" UNC x 1" Zn. Pl.	Boulon, 3/8" UNC x 1" Zn. Pl.	Perno, 3/8" UNC x 1" Zn. Pl.
22	226200	2			Bolt, 3/8" UNC x 7/8" Zn. Pl.	Boulon, 3/8" UNC x 7/8" Zn. Pl.	Perno, 3/8" UNC x 7/8" Zn. Pl.
22	226200		6	8	Bolt, 3/8" UNC x 7/8" Zn. Pl.	Boulon, 3/8" UNC x 7/8" Zn. Pl.	Perno, 3/8" UNC x 7/8" Zn. Pl.
23	199001	4	4		Seal washer, 5/16"	Rondelle de joint, 5/16"	Arandela selladora, 5/16"
23	176220			4	Spring washer, 5/16" Zn. Pl.	Rondelle de ressort, 5/16" Zn. Pl.	Arandela de resorte, 5/16" Zn. Pl.
24	225963	4	4		Bolt, 5/16" UNF x 3/4" SST	Boulon, 5/16" UNF x 3/4" Acier Inox.	Perno, 5/16" UNF x 3/4" SST
24	225971			4	Bolt, 5/16" UNF x 7/8" SST	Boulon, 5/16" UNF x 7/8" Acier Inox.	Perno, 5/16" UNF x 7/8" SST
25	226040	4			Bolt, 5/16" UNC x 2 1/2" Zn. Pl.	Boulon, 5/16" UNC x 2 1/2" Zn. Pl.	Perno, 5/16" UNC x 2 1/2" Zn. Pl.
25	226050		4		Bolt, 5/16" UNC x 2 3/4" Zn. Pl.	Boulon, 5/16" UNC x 2 3/4" Zn. Pl.	Perno, 5/16" UNC x 2 3/4" Zn. Pl.
25	226020			4	Bolt, 5/16" UNC x 2"	Boulon, 5/16" UNC x 2" Zn. Pl.	Perno, 5/16" UNC x 2" Zn. Pl.
26	016350	4			Spacer, 1.00 high	Entretoise, 1.00 de long	Espaciadoro, 1.00
26	033930		4		Spacer, 1.40 high	Entretoise, 1.40 de long	Espaciadoro, 1.40
26	037070			4	Spacer, .25 high	Entretoise, .25 de long	Espaciadoro, .25
27	433178	1	1		Baseplate	Plaque de base	Plancha de la base
27	433182			1	Baseplate	Plaque de base	Plancha de la base
27	414143			1	Baseplate	Plaque de base	Plancha de la base
28	174986	2	2	2	Plain washer, 3/8" Zn. Pl.	Rondelle plate, 3/8" Zn. Pl.	Arandela ordinaria, 3/8" Zn. Pl.
29	176230	2	2	2	Spring washer, 3/8" Zn. Pl.	Rondelle de ressort, 3/8" Zn. Pl.	Arandela de resorte, 3/8" Zn. Pl.
30	226200	2	2	2	Bolt, 3/8" UNC x 7/8" Zn. Pl.	Boulon, 3/8" UNC x 7/8" Zn. Pl.	Perno, 3/8" UNC x 7/8" Zn. Pl.
31	185620	1	1	1	Pipe plug, 1/4" NPT	Bouchon de tuyau, 1/4" NPT	Tapón de tubería de 1/4" de plug, NPT
32	226210	4	4	4	Bolt, 3/8" UNC x 1" Zn. Pl.	Boulon, 3/8" UNC x 1" Zn. Pl.	Perno, 3/8" UNC x 1" Zn. Pl.
*	201899		1		Deflector (part of engine)	Défecteur (du motor)	Desviador (parte del motor)

IMPORTANT:- When ordering parts specify the model and type, code number and part description.

- * = Not Shown

IMPORTANT:- Pour commander, indiquer le numéro de modèle et le type ainsi que le numéro de code des pièces et leur description.

- * = Non Illustré

IMPORTANTE:- Cuando haga el pedido de las piezas, especifique el modelo, número de código y la descripción de la pieza.

- * = No se muestra

MONARCH INDUSTRIES

IMPRIME
AU
CANADA

Impreso
en
Canada