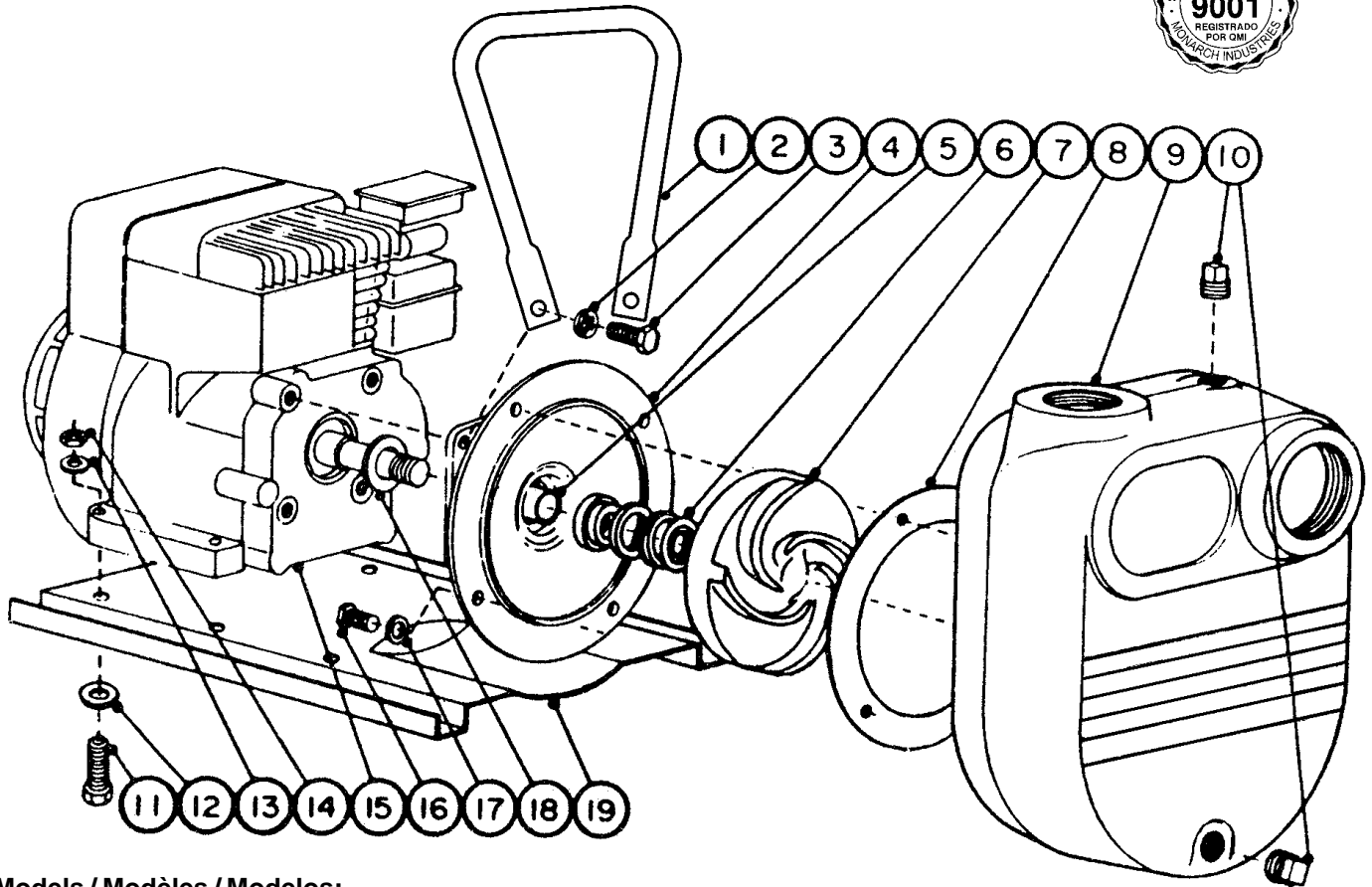


**REPAIR PARTS LIST
LISTE DE PIÈCES
DE RECHANGE
LISTA DE REQUESTOS**

BSGF SERIES

Self Priming Centrifugal Pumps
Pompes Centrifuges à Auto Amorçage
Bombas centrifugas de autocargado



Models / Modèles / Modelos:

a = BSGF-8 b = 5BSGF-8 c = BSGF-10 d = BSGF-12 e = 8BSGF-12
 BSGF-8H 5BSGF-8H BSGF-10H 8BSGF-12H
 BSGF-8IC 5BSGF-8IP (Type/TipoB)
 BSGF-8IP 5BSGF-8IC 8BSGF-12IC
 BSGF-8V 8BSGF-12IP

Ref. #	Code #	Quantity Required for					Description	Description	Descripción
		a	b	c	d	e			
1	414145				1	Handle	Poignée	Manija	
1	414149				1	Handle	Poignée	Manija	
1	414142				1	Handle (8BSGF-12 & 8BSGF-12IC)	Poignée (8BSGF-12)	Manija (8BSGF-12)	
1	433184				1	Handle (8BSGF-12H)	Poignée (8BSGF-12H)	Manija (8BSGF-12H)	
1	401666	1				Handle (BSGF-8IP)	Poignée (BSGF-8IP)	Manija (BSGF-8IP)	
1	401664		1	1		Handle (5BSGF-8, 5BSGF-8IC, BSGF-10)	Poignée (5BSGF-8, 5BSGF-8IC, BSGF-10)	Manija (5BSGF-8, 5BSGF-8IC, BSGF-10)	
1	401662	1	1	1		Handle	Poignée	Manija	
2	176687	4	4	4	4	Toothlock Washer, 5/16" Zinc Plated	Rondelle de blocage 5/16 dentelée/recouv. zinc	Arandela de encaje de 5/16 pulg. ench. en zinc	
3	225961	4	4	4		Bolt, 5/16" UNF x 3/4" Zinc Plated	Boulon, 5/16 UNF x 3/4 recouv. zinc	Perno, 5/16 pulg. UNC x 3/4 pulg. ench. en zinc	
3	225971				4	Bolt, 5/16" UNF x 7/8" Zinc Plated	Boulon, 5/16 UNF x 7/8 recouv. zinc	Perno, 5/16 pulg. UNC x 7/8 pulg. ench. en zinc	
3	226220				2	Bolt, 3/8" UNC x 1 1/4" Zinc Plated	Boulon, 3/8 UNC x 1 1/4 recouv. zinc	Perno, 3/8 pulg. UNC x 1 1/4 pulg. ench. en zinc	
3	226230				2	Bolt, 3/8" UNC x 1 1/2" Zinc Plated	Boulon, 3/8 UNC x 1 1/2 recouv. zinc	Perno, 3/8 pulg. UNC x 1 1/2 pulg. ench. en zinc	
4	438275					Adapter	Adapteur	Adaptador	
4	438280	1	1	1		Adapter	Adapteur	Adaptador	
4	438480				1	Adapter	Adapteur	Adaptador	
4	438481				1	Adapter	Adapteur	Adaptador	
5*	266000	1	1	1	1	Sleeve	Manchon	Manga	
5*	414144				1	Sleeve SST	Manchon en acier inoxydable	Manga SST en acero inoxidable	

Ref. #	Code #	Quantity Required for					Description	Description	Descripción
		a	b	c	d	e			
6*	240344	1	1	1	1		Mechanical Seal, 3/4" I.D.	Joint mécanique 3/4 D.I.	Sello mecánico, 3/4 pulg. I.D.
6*	240359					1	Mechanical Seal, 1 1/4" I.D.	Joint mécanique 1 1/4 D.I.	Sello mecánico, 3/4 pulg. I.D.
7*	438180						Impeller	Roue de turbine	Propulsor
7*	438190	1	1				Impeller	Roue de turbine	Propulsor
7*	438200			1			Impeller	Roue de turbine	Propulsor
7*	438477				1		Impeller	Roue de turbine	Propulsor
7*	438475					1	Impeller	Roue de turbine	Propulsor
8*	193930	1	1	1			Gasket	Joint d'étanchéité	Junta
8*	193919				1	1	Gasket	Joint d'étanchéité	Junta
9	438057	1	1	1			Casing - yellow	Boitier - jaune	Cuerpo - amarillo
9	438471				1	1	Casing	Boitier	Cuerpo
10	185650	2	2	2	2	2	Pipe Plug, 3/4" NPT Galv.	Bouchon de tuyau, 3/4 NPT Galv.	Tapón de tubería de 3/4 de pulg. NPT galv.
11	226000	4	4	4	4	4	Bolt, 5/16" UNC x 1 1/2" Zinc Pl.	Boulon, 5/16 UNC x 1 1/2 recouv. de zinc	Perno, 5/16 pulg. UNC x 1 1/2 pulg. ench.en zinc
11	226010					4	Bolt, 5/16" UNC 1-3/4 Zinc PL	Boulon, 5/16 UNC x 1-3/4 recouvert de zinc	Perno, 5/16 pulg. UNC x 1-3/4 pulg. ench en zinc
12	174990	4	4	4	4	4	Plain Washer, 5/16" Zinc Plated	Rondelle plate, 5/16 recouvert de zinc	Arandela ordinaria, 5/16 pulg. ench. en zinc
13	176220	4	4	4	4	4	Spring Washer, 5/16" Zinc Plated	Rondelle de ressort, 5/16 recouvert de zinc	Arandela de resorte, 5/16 pulg. ench. en zinc
14	227820	4	4	4	4	4	Nut, 5/16" UNC Zinc Plated	Écrou, 5/16 UNC recouvert de zinc	Tuerca, 5/16 pulg. UNC enchap. en zinc
15	201950	1					Engine, B&S, 3.5HP	Moteur, B&S, 3.5 CV	Motor, B&S, 3.5HP
15	201952	1					Engine, B&S/IC, 3.5HP	Moteur, B&S/IC, 3.5 CV	Motor, B&S/IC, 3.5HP
15	202000	1					Engine, Honda, 4HP /#GX120TX	Moteur, Honda 4 CV /#GX120TX	Motor, Honda, 4HP /#GX120TX
15	201905	1					Engine, B&S/IP, 3.5HP	Moteur, B&S/IP, 3.5 CV	Motor, B&S/IP, 3.5HP
15	201907	1					Engine, B&S Vanguard, 4HP	Moteur, B&S Vanguard, 4 CV	Motor, B&S Vanguard, 4HP
15	201915		1	1	1		Engine, B&S Intek, 5.5HP	Moteur, B&S Intek, 5.5 CV	Motor, B&S Intek, 5.5HP
15	202001		1	1			Engine, Honda, 5.5HP /#GX160TX	Moteur, Honda, 5.5 CV /#GX160TX	Motor, Honda, 5.5HP /#GX160TX
15	201910		1				Engine, B&S Intek I/C, 5.5HP	Moteur, B&S Intek I/C, 5.5 CV	Motor, B&S Intek I/C, 5.5HP
15	201909	1					Engine, B&S Vanguard, 5.5 HP	Moteur, B&S Vanguard, 5.5 CV	Motor, B&S Vanguard, 5.5 HP
15	201908		1				Engine, B&S Intek/OG 5.5HP	Moteur, B&S Intek/OG 5.5HP	Motor, B&S Intek/OG 5.5HP
15	201918				1		Engine, B&S, 8HP	Moteur, B&S, 8 CV	Motor, B&S, 8HP
15	202002				1		Engine, Honda, 9HP /#GX270PX	Moteur, Honda, 9 CV /#GX270PX	Motor, Honda, 9HP /#GX270PX
15	201919				1		Engine, B&S/IC, 8 HP	Moteur, B&S/IC, 8 CV	Motor, B&S/IC, 8 HP
15	201929				1		Engine, B&S Intek I/C, 8HP	Moteur, B&S/IP, 8 CV	Motor, B&S/IP, 8HP
15	201930				1		Engine, B&S Vanguard, 9 HP	Moteur, B&S Vanguard, 9 CV	Motor, B&S Vanguard, 9 HP
16	124191	4	4	4		4	Bolt, 3/8" UNC x 3/4" SST	Boulon, 3/8 UNC x 3/4	Perno, 3/8 pulg. UNC x 3/4 pulg. SST
16	172970				4	4	Stud 3/8" UNC x 1-1/4" SST		
17*	175500	4	4	4			Aluminum Washer, 3/8"	Rondelle d'aluminium, 3/8	Arandela de aluminio, 3/8 pulg.
18*	191141		1	1	1		Flinger (except 5BSGF-8H & BSGF-8IP)	Cavalier (excepté 5BSGF-8H & BSGF-8IP)	Anillo de goma (excepto 5BSGF-8H & BSGF-8IP)
18*	191142	1					Flinger	Cavalier	Anillo de goma
18*	191270				1		Flinger (8BSGF-12IC)	Cavalier (8BSGF-12IC)	Anillo de goma (8BSGF-12IC)
18*	194140	1			1		Flinger (BSGF-8IC & BSGF-8V)	Cavalier (BSGF-8IC & BSGF-8V)	Anillo de goma (BSGF-8IC & BSGF-8V)
19	414140	1	1	1	1		Base Plate	Base	Plancha de la base
19	414143					1	Base (not as shown)	Base (non illustré)	Base (no mostrada)
N/S	227830				4	4	Nut, 3/8" UNC Zinc Plated	Écrou, 3/8" UNC recouv. de zinc	Tuerca, 3/8 pulg. UNC ench. en zinc

*Suggested Parts to Stock.

IMPORTANT: When ordering parts specify the model and type, code number and part description.

N/S: Not Shown

*Stockage suggéré

IMPORTANT: Pour commander, indiquer le modèle, le type, le numéro de code et la description des pièces.

NI: Non Illustré

*Partes sugeridas para el inventario.

IMPORTANTE: Cuando pida las piezas especifique el modelo, tipo, número de código y la descripción del mismo.

N/S: No se muestra

MONARCH INDUSTRIES

PRINTED IN CANADA
IMPRIMÉ AU CANADA
Impreso en Canadá